



GHOVR72W

HD 720P WIFI DASH CAM

PRODUCT USER MANUAL



Resolution



Super Capacitor



Hand Gesture Photo Function



Adhesive Mount



G Sensor



Wide Angle



GPS Option

Introduction

Thank you for purchasing the Gator GHDVR72W HD 720P WiFi Dash Cam. Please ensure that you have read the product manual and instructions in full, prior to installation and use. Failure to do so may result in product failure/damage or incorrect operation and therefore impact the product performance.

Product overview

The Gator GHDVR72W Dash Cam has been designed to provide high definition recordings of your trips for security and evidence in the case of an accident. The DASH CAM simply mounts to the windscreen and records footage onto a Micro SD memory card. It has built-in WIFI and interfaces with your smartphone. It transfers the user interface to the phone via the Gator Dash Cam APP. It has a G-sensor with adjustable sensitivity and loop recording functionality.

Product features:

- HD 1280x720 @ 30FPS
- 152 Degree HD wide angle lens
- WiFi enabled (2.4Ghz)
- WiFi Via free App to Smartphone
- Hand gesture photo function
- Time and date stamp
- G-Sensor function
- GPS data recording (optional GPS7282W req)
- Mini USB interface
- Seamless cycle loop recording
- Super capacitor works in extreme temperature & saves last recording once power is disconnected
- Adhesive car mount
- Built-in MIC
- 12/24V in-car USB charger
- Supports Micro SD memory card up to 64GB, class10

Table of Contents

Introduction.....	2
Product overview.....	2
Product features	2
Table of contents	3
Package components	4
Optional accessories.....	4
Product structure.....	5
Installation of Dash Cam.....	6
Fixing the Dash Cam.....	7
Indicator lights.....	7
Hand gesture photo function.....	7
Downloading the Dash Cam WiFi App.....	7
Pairing the Dash Cam to a Smartphone.....	8
Dash Cam interface	9
Dash Cam App functions	10
Resetting Dash Cam	10
Dash Cam Glossary	10
Instructions for video and photo playback	12
GPS logger instructions.....	12
Product specification.....	13
Trouble shooting guide.....	14
Safety information & warnings.....	15
Infringement of copyright warning.....	15
Technical assistance.....	16

Package components:

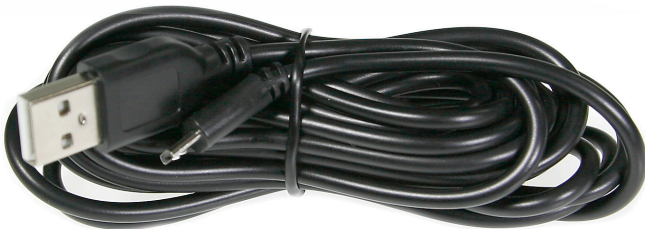
Gator GHDVR72W Dash Cam



Mounting Bracket



USB to Micro USB



GPS (GPS7282W optional)



Car Charger



GHDVR72W User Guide

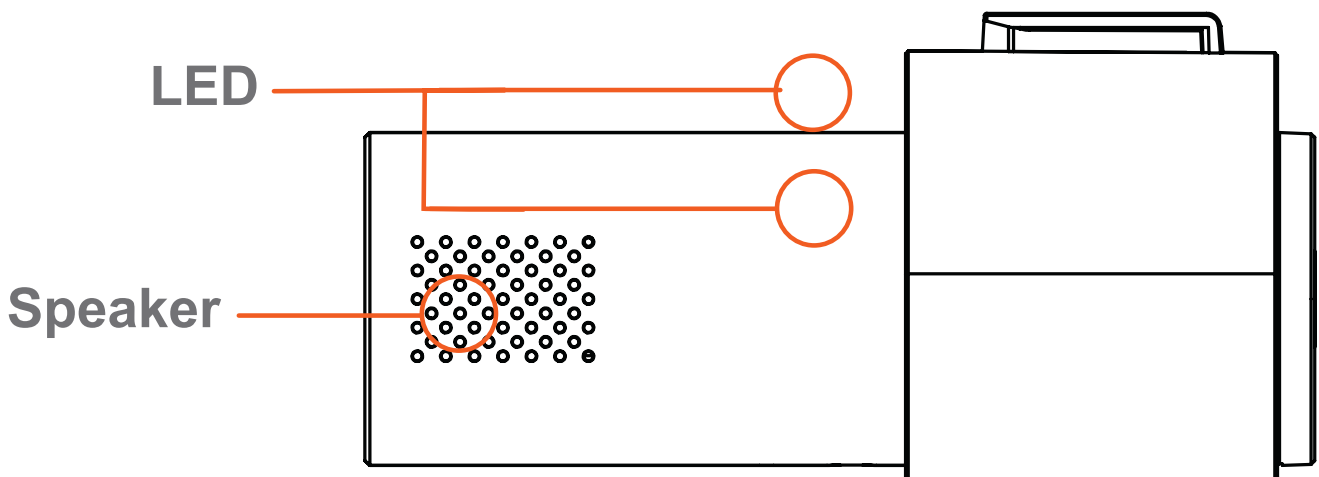
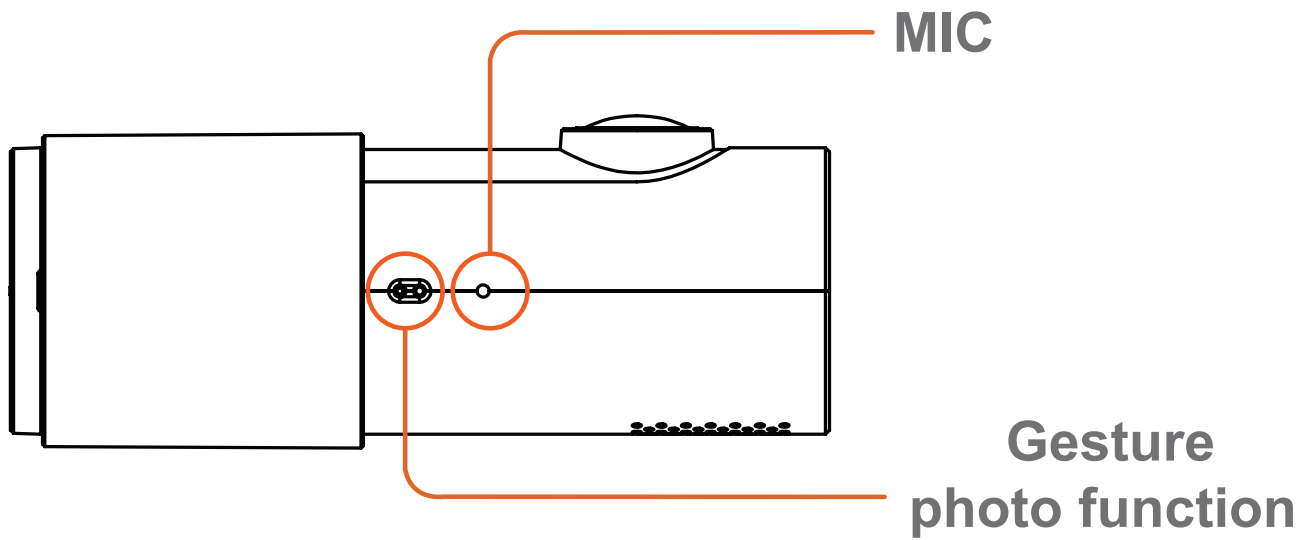
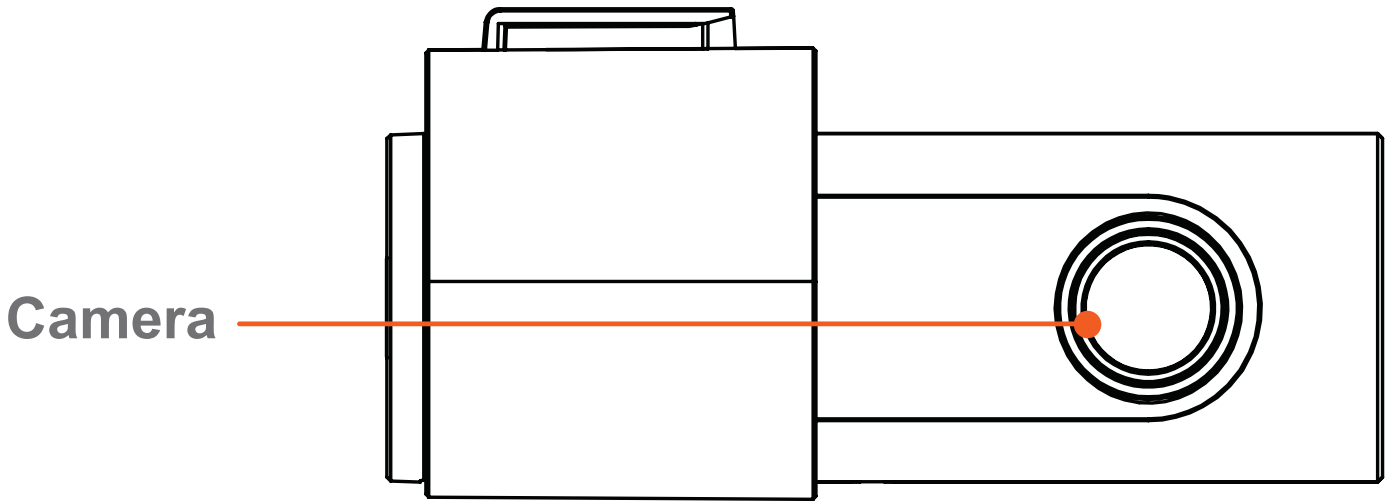


Optional accessories: GPS7282W & GHWCUSB (Sold separately)

The GATOR GPS7282W antenna enables the user to connect directly to the DASH CAM for power and to use the GPS tracking and recording function via the App.

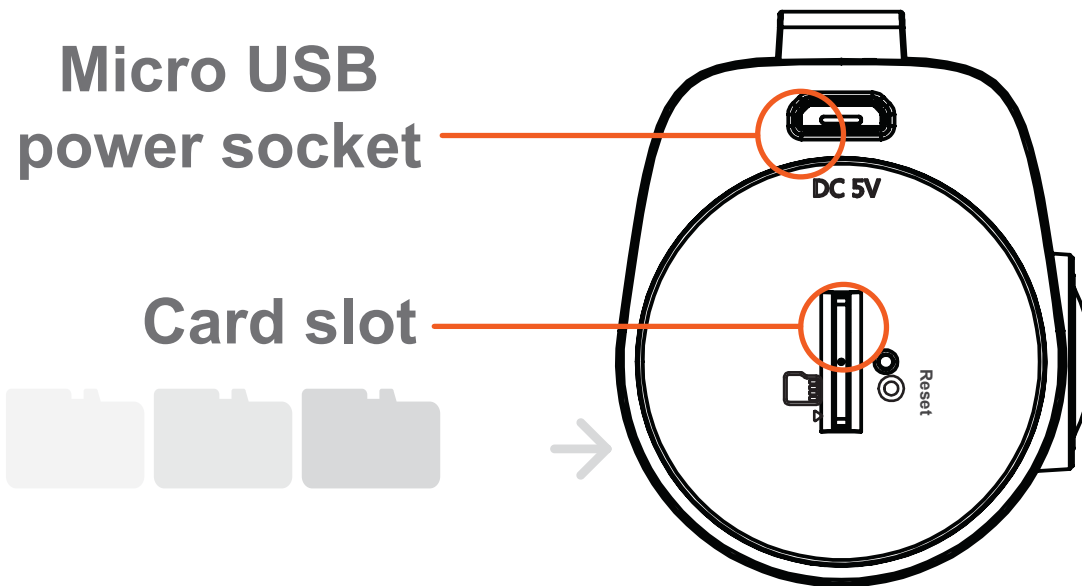
The GATOR GHWCUSB enables a professional installation of a GATOR DASH CAM into your vehicle. Instead of sourcing power from the accessory socket of the vehicle, the GHWCUSB allows the dash cam to be wired directly to the vehicles fuse box.

Product structure:



**Micro USB
power socket**

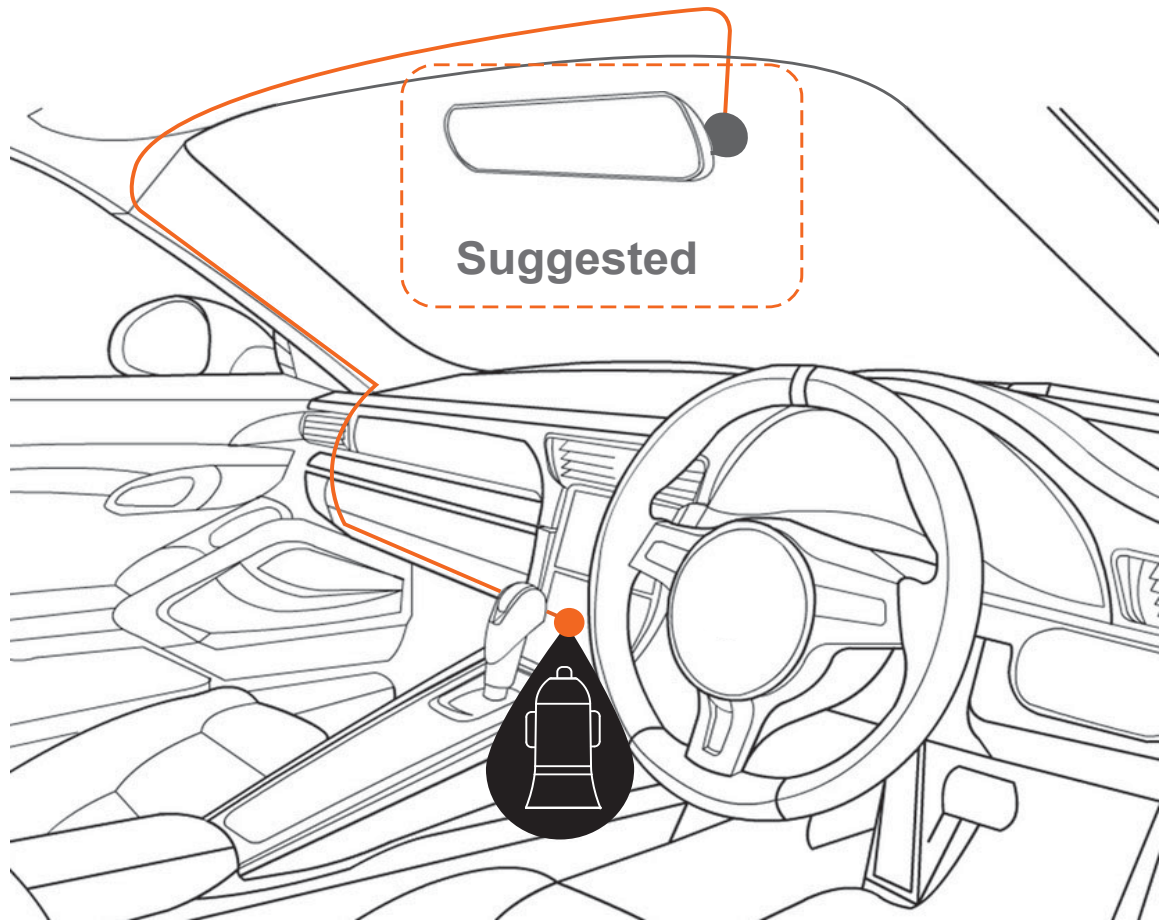
Card slot



Installation of Dash Cam

1. Insert adhesive mount into the mounting bracket fixing point on the DASH CAM.
2. Fix device onto a clean windscreen where the vision is not blocked (Place close to rear-view mirror is recommended). Don't install device on airbag or within its working range.
3. Insert Micro SD card into the DASH CAM
4. Insert Mini USB end of the power cord into the Mini USB interface/ charging point of the DASH CAM. Connect USB charging end of the cable into USB socket adapter, place adapter into 12V power socket of vehicle.
5. Adjust the mounting bracket and rotate the camera direction to get the best view. Ensure $\frac{1}{4}$ of the vehicles bonnet is visible from the bottom of the screen for alignment.
6. Turn vehicles ignition to accessories, the DASH CAM will automatically power ON, you will hear an audible tone once powered.
7. A red LED will start flashing and recording will start
8. A solid green LED will show on the automatically on the DASH CAM when it is paired correctly with your smartphone via the APP
9. For the DASH CAM to work it must receive power from the charging adapter. Once power is removed or turned off the DASH CAM will save the current file and turn off.

Fixing the Dash Cam



Indicator lights

1. When the red LED is flashing, the Dash Cam is in recording mode.
2. When the green LED is on, the Dash Cam has been successfully paired with your Smartphone.

Hand gesture photo function

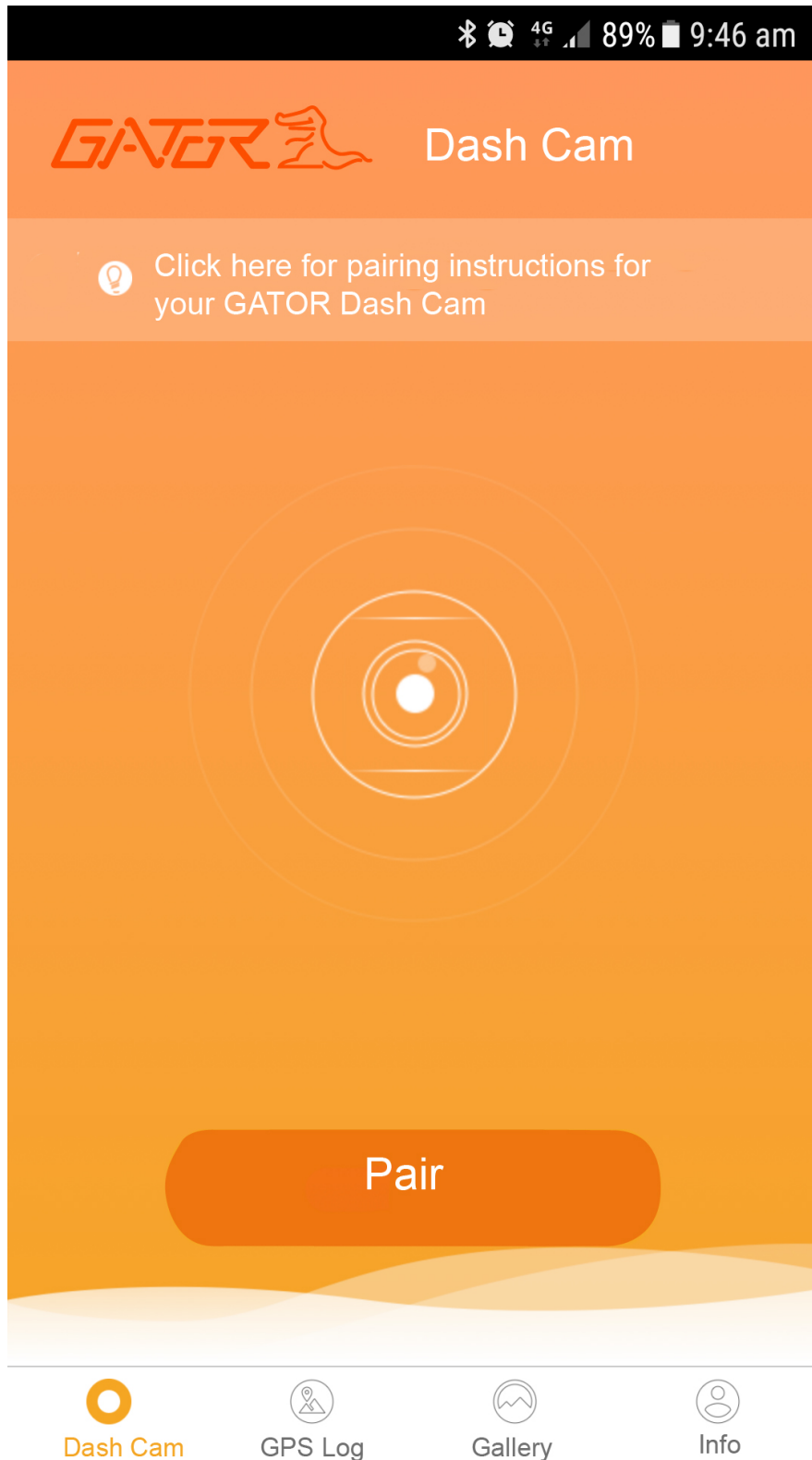
When you wave your hand in front of the gesture photo sensor, the Dash Cam will make a click sound and automatically takes a photo.

Downloading the DASH CAM WiFi APP

On your Smartphone search Gator Dash Cam APP. For iPhones search the APP Store or for Android devices via Google Play.

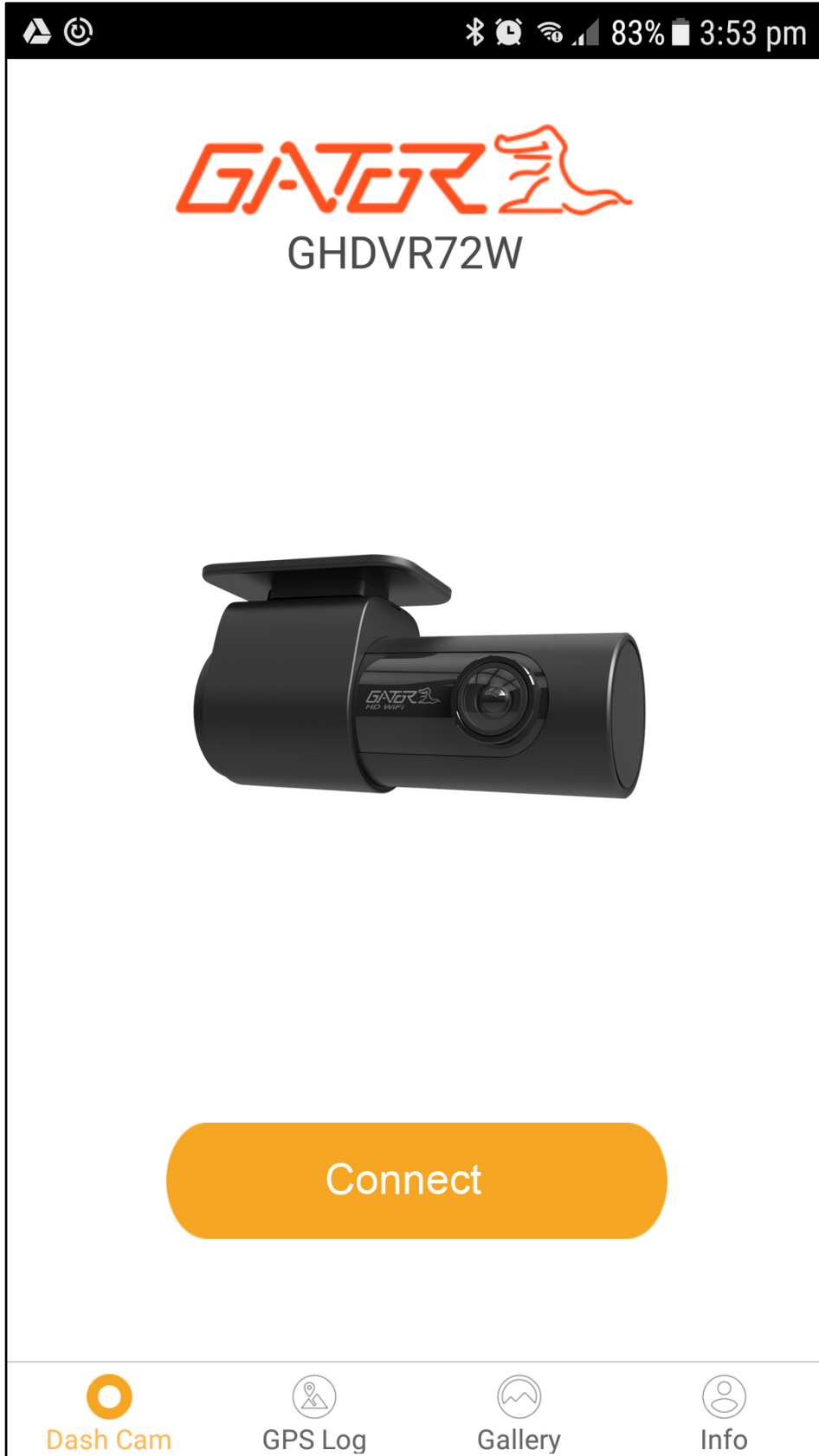
Pairing the Dash Cam to a Smartphone

On the Smartphone to the Gator Dash Cam APP and press the Pair icon. This will go to your WiFi settings and display all devices for connection. Select your Dash Cam model. Enter the password 12345678. Join then Launch Dash Cam APP



DASH CAM interface

Once paired to your DASH CAM select the connect icon to access functions.



DASH CAM APP functions

DASH CAM

1. To take a picture press white button in the centre
2. To access my Dash Cam videos press video icon
3. To access Dash Cam settings press settings icon

Factory Reset

To hard reset the device in the case of a system jam or crash. Insert fine point paper clip into reset hole next to Micro SD card input

Gallery

Allows access to your downloaded videos and photos

Info

Version of the APP, Version of firmware, Language and Speed unit settings

Resetting DASH CAM

To hard reset the device in the case of a system jam or crash. Insert a fine point paper clip into reset hole next to Micro SD card input

DASH CAM Glossary

Micro SD Slot:

Where the Micro SD card is inserted (Max size is 64GB Class 10).

USB Interface:

The USB charging adapter is used to power the DASH CAM with the Micro USB cable.

G-sensor Function:

The G-sensor function activates in the case of a car accident by determining the gravitational acceleration ($1g = 9.8 \text{ meters/second}^2$). When this function activates, the DASH CAM will take a picture.

Super capacitor:

This allows for the Dash Cam to be used in extreme temperatures and saves the last recording once power is disconnected.

Ignition Auto Power On/Off:

Once power is connected to the device (ie: when the vehicles ignition is turned on), the DASH CAM will automatically turn on and start recording. When the power is disconnected, or car is turned off, the DASH CAM will automatically save the file and shutdown.

MIC:

Audio receiver for video recording.

Resolution:

Resolution is 1280x720 @ 30P

Record Time (Loop):

This feature allows the DASH CAM to record over the oldest recorded files once the card is full. The card records video in 3 minute files. If you want to keep any of the files it is best to upload them via the APP to your Smartphone.

Date Stamp:

This feature will stamp the date and time on all your footage

Mute microphone:

Turns microphone recording sound on or off. If you want to stop the DASH CAM recording sound in the cab of your vehicle, set this feature to 'off'. The microphone can be muted by the video settings menu of the APP

WDR (Wide Dynamic Range):

Wide Dynamic Range can allow for better quality footage in areas where both bright light and no light are present.

Language:

Allows you to choose from a selection of languages that include: English, Simplified Chinese, Traditional and Japanese.

Format:

This feature allows you to format/delete all the files off your micro SD card and also reinstalls your EVENT(SOS locked files) and NORMAL(Video and jpegs) directories on your Micro SD card.

Instructions video and photo playback (APP browser interface)

To view your files go to the gallery menu of the APP. Click on the video or photo tab, select your file and press on the download icon. This will download the file from the DASH CAM to your Smartphone for viewing. Alternatively remove the card from the reader and plug card directly into your computer to access files.

GPS logger instructions with optional (GPS7282W cable)

The GPS data is automatically saved to the video files. In order to see the GPS data in the video files, you will need to download from the link below..

ATTENTION: To avoid any possible GPS signal interference, make sure the DASH CAM is away from any other car audio equipment.

Product specifications

Product Feature	HD Camera, HD Recording
Light sensor	2MP CMOS sensor
G-sensor	Three axis accelerometer
WiFi	2.4GHz 802.11 b/g/n
Lens	152 Degree Wide Angle Fixed focus, F = 2.2
Language	English/Simplified Chinese/Traditional Chinese/Japanese
Video Format	MP4
Video Resolution	1280x720 @30fps (16:9)
Video Codec.	H. 264
Loop Recording	Recording with seamless 3 min blocks
Auto turn on/off while car power on/off	Supports turn on while car starts and turn off while car turns off.
Date stamp	Supported
Still images	Photo resolution: 4 MP
Photo Format	JPEG
Memory Card	Micro SD SDHC (Class 10 up to 64GB Max)
MIC/ Built-in Speaker	Supported
In built	Super capacitor
Frequency	50HZ/60HZ
USB	Supported
SOS lock function	Supported
Input	12/24V
Working voltage & current	DC 5V/1A

Trouble shooting guide

Under normal operating conditions, if there are problems with the device, please refer to the following methods to resolve.

Cannot take pictures or record video?

Please check whether there is enough space on the micro SD card or internal storage.



Stopping automatically while recording

Due to the high amount of HD video data being recorded, please use a high-speed micro SD card. To tell if you have the required high speed card, check if it has the 'Micro SDHC' logo on the SD card and 8GB class 10 or above is recommended. Make sure that your card is labelled Micro SDHC and not Micro SDXC as SDXC cards will not work with this DASH CAM.

Fuzzy/dirty image

Please check if the lens is filled with dirt or fingerprints and clean carefully. Please clean lens with cloth before shooting.

The DASH CAM is jammed or not responding

Please reset the device by pushing in the reset button on the underside of the DASH CAM.

Why is the DASH CAM not turning on in the car?

Please check and make sure that there is power in the cigarette lighter socket of your car.

Micro SD card not recognised by DASH CAM

Format card in the DASH CAM's menu setting's before use.

A coloured tinge showing up in the video?

Make sure to peel off the transparent protective sticker on the front of the DASH CAM's lens.

Safety information & warnings

- Do not use the DASH CAM in damp working conditions; the DASH CAM is not waterproof
- Do not try opening the shell or trying to repair the DASH CAM by yourself. If the accessories for the DASH CAM have any problems, please take it to an authorised repair agent for repair.

- Do not use a chemical substance, cleaning solvent or cleaner to clean the DASH CAM, please use a moist soft cloth if you would like to clean the DASH CAM.
- Do not use the DASH CAM under conditions where dust is present.
- Please pay attention to cleaning the lens surface, use a moist soft cloth to clean the lens before use, to avoid poor video footage.

Infringement of copyright warning

Please note that this product is for personal use only, the method of use shall not violate the goods infringe on domestic or international copyright laws. Even recorded images for personal use only, please note that in some cases to use this product to record performances, exhibitions or business activities of the images may infringe the copyright or other legal rights and interests of others.

Technical assistance

If you need assistance setting up or using your Gator product now or in the future, call Gator Support.

Australia

TEL: 03 – 8587 8898

FAX: 03 – 8587 8866



Mon-Fri 9am – 5pm AEST

Please retain this user guide for future reference.

If you would like to download a digital copy of this manual, or other Gator manuals/software, please visit the <http://gatordriverassist.com> website and click on ‘Firmware & Manuals’ for information on where to find the manuals/software.

For PC users a video viewing App is also available to download from the website

This manual is considered correct at time of printing but is subject to change. For latest manuals and updates refer to the website.

Copyright © 2017 by TDJ Australia

All rights reserved. No part of this publication may be reproduced, distributed, or transmitted in any form or by any means, including photocopying, recording, copying or other electronic or mechanical methods, without the prior written permission of the author.