

## Technical Assistance

If you need assistance setting up or using your Gator product now or in the future, call Gator Support.

Australia

TEL: 03 – 8587 8898

FAX: 03 – 8587 8866

Mon-Fri 9am – 5pm AEST

Please retain this quick start guide for future reference.

If you would like to download a more detailed function manual, or other Gator manuals/software, please visit the <http://gatordriverassist.com> website and click on 'Firmware & Manuals' for information on where to find the manuals/software.

This manual is considered correct at time of printing but is subject to change.

For latest manuals and updates refer to the website.



## Quick start guide

# GATOR

WiFi

# GC300

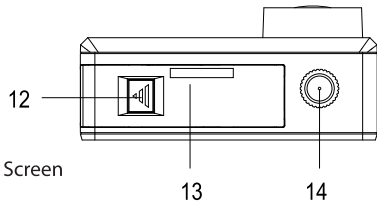
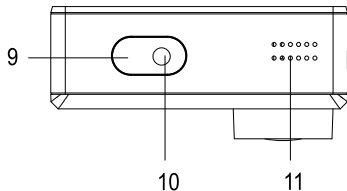
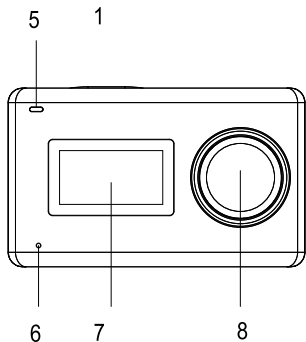
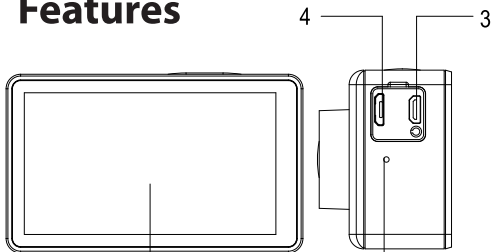
4K ULTRA HD WIFI  
ACTION CAMERA

4K  
ULTRA HD



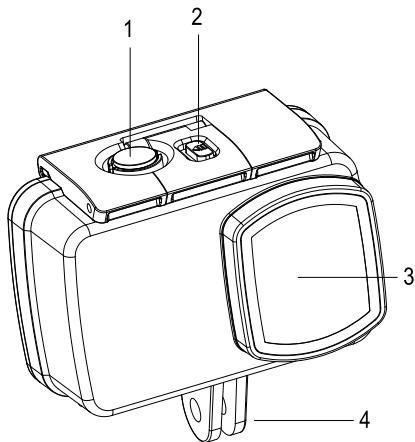
Waterproof  
30M

# Features



1. 2.45" Screen
2. MIC
3. HDMI
4. USB
5. LED Indicator
6. MIC
7. Front info display
8. Camera
9. Shutter/ON/OFF
10. Video Indicator
11. Speaker
12. Battery switch
13. SD card slot (open the battery compartment)
14. Standard 1/4" thread for mounts

# Waterproof Housing



1. Shutter/ON/OFF
2. Case security lock
3. Camera
4. Bracket mount

*Note: Camera is not waterproof until placed securely in Waterproof housing*

# Included Accessories

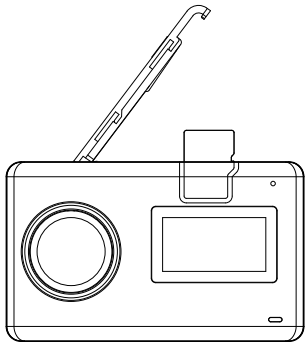


Thank you for purchasing the Gator GC300. This Quick Start Guide will help you learn the basics of using the action camera. For a more detailed manual please refer to our website at [www.gatordriverassist.com](http://www.gatordriverassist.com)

### Inserting Micro SD Card

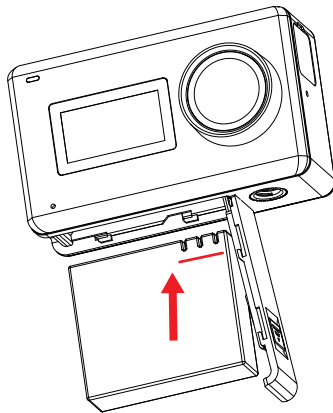
This camera is compatible with 8GB, 16GB and 32GB Micro SD, Micro SD HC and Micro SDXC memory cards.

**Note:** Please choose a branded Micro SD card and format it on computer before use. The camera supports up to 32GB, Class 10 (Non Ultra). We recommend using brand name memory cards for maximum reliability in high-vibration activities.



### Installing and removing battery

1. Press the battery switch down and slide cover outwards. Cover will lift upwards.
2. Correctly install battery into camera as indicated by +/- symbols and direction of arrows marked on the battery until it's in place.
3. Replace cover
4. To remove battery pull battery tab upwards



## Micro SD Cards:

This camera is compatible with 8GB - 64GB Micro SD, Micro SD HC and Micro SDXC memory cards. You must use a Micro SD card with a Class 10 speed rating. We recommend using brand name memory cards for maximum reliability in high-vibration activities.

## Charging the battery:

1. Connect the camera to a computer or USB power supply with cable supplied.
2. The charging LED indicator light turns red while the battery is charging.
3. The charging LED indicator light will turn off when the battery is fully charged.
4. Charging battery icon flashes on front and rear screen when the camera is turned on.
5. Charging time is approx 3.5 hours

*Note: If recording is occurring when the battery reaches 0% the camera will save the file and power off.*

\* Spare batteries, model number (GCBAT2) can be purchased separately. Contact Gator Support

## Getting Started

Press & hold the shutter ON/OFF button on the top of the camera for 3 - 5 seconds to turn it on or off.

The GC300 is a touch screen model allowing you to change settings by simply touching the rear screen.

## Mode settings

Touch the bottom of the rear screen to access 9 shooting modes. Select the shooting mode and click on the right lower corner settings icon to enter the settings for this mode. For each mode the settings will be different. Press the X icon to exit settings.

1. Normal Video
2. Time-lapse record
3. Slow motion
4. Normal photo
5. Photo Lapse
6. Sequence
7. Video+Photo
8. Car mode
9. Aqua mode

## Video mode

When in recording mode a video camera symbol is displayed on top left of screen and a red circle ● appears next to it. Press the shutter button to start and stop recording. The shutter button and the circle on the screen now flashes red and a counter appears whilst recording.



## Photo mode

When in photo mode a camera symbol is displayed on top left of screen, press the shutter button to take a picture. A counter appears showing the amount of pictures you can take with the available memory left on the Micro SD card.



## Playback mode

In the bottom left corner, press the play icon. Press the arrow buttons to choose files. Press the play button icon to play the footage. Press the pause icon to pause. Press the return icon to exit. For file storage & playing after you are done recording, use a the USB cable provided to export the videos and pictures onto a computer to play. Or you can take the Micro SD card out and access the image data with a card reader.



## Camera Mode Settings

### Resolution:

4K 24FPS, 2K 30 FPS, 1080P 60 FPS, 1080P 30 FPS, 720P 120 FPS, 720P 60FPS, 720P 30 FPS, WVGA 30 FPS, VGA 240 FPS, VGA 30 FPS & QVGA 30FPS

### Field of view:

Wide, Medium, Narrow

### WDR:

Off/On

### Stabilisation:

Off/On

### Loop Recording:

Off, 3 Mins, 5 Mins or 10 Mins

### Record Audio:

Off/On

### Date Stamp:

Off/On

### Sharpness:

Strong, Normal, Soft

### White Balance:

Auto, Daylight, Cloudy, Tungsten, Fluorescent

### Colour:

Color, Black & White, Sepia

### ISO:

Auto, 100, 200, 400, 800, 1600

**Time-lapse record:**

Off, 1 Second, 5 Seconds, 10 Seconds, 30 Seconds,  
1 Minute

**Slow motion:**

Off, -2x, -4x, -8x

**Exposure:**

+2.0, +5/3, +4/3, +1.0/ +2/3, +1/3, +0/0, -1/3, -2/3, -1.0,  
-4/3, -5/3, -2.0

**Quality:**

Fine, Normal, Economy

**Self Timer:**

Off, 2S timer, 5S timer, 10S timer, 20S timer

**Resolution Image:**

16M, 14M, 12M, 10M, 8M, 5M, 3M, VGA

**Burst:**

Off, Burst 3, Burst 5, Burst 10

**Photo Lapse Time:**

Off, 5 Seconds, 10 Seconds, 30 Seconds, 1 Minute

**Car Mode:**

Will automatically start recording when camera is  
turned on

**Settings****Power On Mode:**

Access shooting modes

**Auto Recording:**

Off/On

**Date/Time:**

Year/Month/Day

Time

**Language:**

English, French, Spanish, Portuguese, Dutch, Italian,  
Chinese, Russian

**Auto Power off:**

Off, 1 Min, 2 Mins, 3 Mins, 5 Mins, 10 Mins

**Beep Sound:**

Off/On

**Frequency:**

50Hz - 60Hz

**Fisheye Setting:**

Off/On

**Screen Saver:**

Off, 1 Min, 3 Mins, 5 Mins

**Image Rotation:**

Off/On

**Format:**

All data will be deleted

Cancel/OK

**Default Setting**

Return menu setting to defaults

Cancel/OK

**Version**

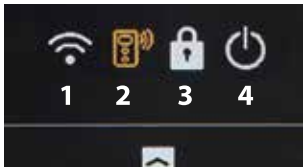
Software/Firmware version



## Shortcut Menu

Slide your finger down from the top of the screen to display shortcut menu functions & up to exit.

1. Wifi ON/OFF
2. Wireless remote control
3. Screen lock
4. Shutdown



## Downloading the APP

Search **OKCAM** from the APP Store or Play Store depending on your Smart phone OS and download to use as the Smart phone interface.



## For Pairing:

Access the shortcut menu and select the WiFi Symbol. SSID (Gator Action Cam) and password (12345678) will be displayed. This can be changed in the App Setup menu. Turn on your WiFi on your Smart Phone and search for the SSID name. Once your Smart Phone finds the SSID name select connect on your phone and enter the password on the camera to pair.

## Specifications

**CPU:** Novatek96660

**Sensor:** Sony IMX078

**Lens:** 170 degree A+ High resolution wide angle

**Screen:** 2.45" LCD touch screen

**Video/Compression format:** MP4/H.264

**Video resolution:**

4K 24FPS, 2K 30 FPS, 1080P 60 FPS, 1080P 30 FPS, 720P 120 FPS, 720P 60FPS, 720P 30 FPS, WVGA 30 FPS, VGA 240 FPS, VGA 30 FPS & QVGA 30FPS

**Picture format:** JPG

**Picture resolution:** 16M/14M/12M/10M/8M/5M/3M/2M

**Storage format:** Micro SD card Class 10 Up to 64GB (Non Ultra )

**USB:** Micro 5 pin 2.0USB

**Waterproof:** 30M with case

**Audio frequency:** Stereo

**Battery:** Rechargeable 3.7V/1000mAh Li-ion

**Battery autonomy:** 70 Minutes

**Measurements:** 65\*39\*21.5mm

**Weight:** 88g

**Languages:** English, French, German, Spanish, Italian, Portuguese, Simple Chinese, Japanese, Traditional Chinese, Russian

**Operating system:** Windows XP/ Mac OS

## Wireless Remote Control

1. Photo key (press once to take a picture)
2. Video key (press once to record video, press again to stop)
3. Switch screen (press to turn screen display ON/OFF)
4. USB charging port (USB cable supplied for charging)

