

## WIDE ANGLE UNIVERSAL FLUSH MOUNT CAMERA WITH WIRELESS CONTROLLER



### PRODUCT FEATURES:

---

- |                      |   |
|----------------------|---|
| - Resolution         | 720 x 480 (Wide Angle View)                                     |
| - Picture Mode       | NTSC  |
| - CMOS Chipset:      | 1/3"  |
| - Lens FOV:          | 210 Degrees (H) x 140 Degrees (V)                               |
| - Viewing Angles:    | Birds-Eye, Wide Angle, Reversing Left/Right Blind Spot, Driving |
| - Waterproof Rating: | IP67  |
| - Parking Guidelines | Yes (Removable/Dynamic)   |

### Prior to Installation

Read the manual prior to installation. Technical knowledge is necessary for installation. Please ensure you use the correct tools to avoid damage to the vehicle or product.

***Gator can not be held responsible for the installation of this product.***

### Technical Support

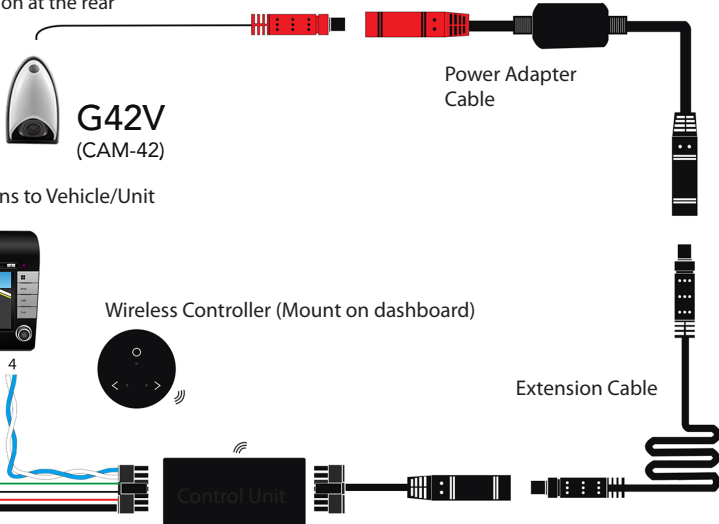
Gator wants to provide a fast and suitable resolution should you encounter any technical issues. With this in mind, when contacting Gator, try to provide as much information as possible. This will speed up the process and help us to help you.

**Please use our dedicated online technical support centre: [service@tdj.com.au](mailto:service@tdj.com.au)**

# INSTALLATION

## Wiring Diagram

Camera can be flush mounted to the desired location at the rear of the vehicle



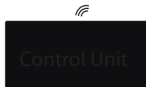
Make Connections to Vehicle/Unit



Wireless Controller (Mount on dashboard)

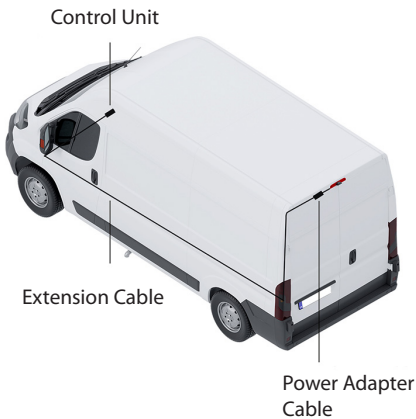


Extension Cable



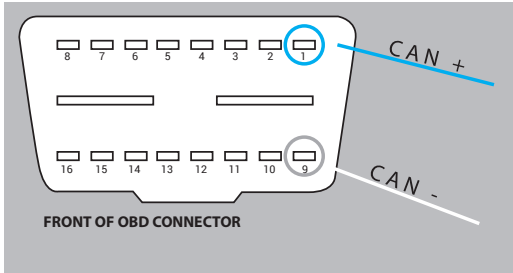
- |   |       |                 |  |
|---|-------|-----------------|--|
| 1 | Red   | Acc 12V         | Connect to vehicle 12V Accessory feed                    |
| 2 | Black | Ground          | Connect to ground  |
| 3 | Green | Reverse Trigger | Connect to vehicle reverse trigger output                |
| 4 | Blue  | CAN +           | Connect to rear of OBD connector (see diagram on Page 3) |
|   | White | CAN -           | Connect to rear of OBD connector (see diagram on Page 3) |

## Vehicle Connection Overview





## Connecting CAN-Bus Wii



Locate the vehicle's OBD port and unscrew/remove the female connector.

On the reverse of the connector (the side where wiring enters it), connect the CAN + (blue) and CAN - (white) wires from the harness to the locations specified in the diagram (Pins 1 and 9).

## USING THE WIRELESS CONTROLLER

### Start-Up

The wireless controller included in the kit can be used to change the viewing mode of the camera, as well as adjust key parameters for each viewing mode.

To bring up the HUD menu, put the vehicle into reverse gear and press A.

*Note: The HUD menu will time-out after 3 seconds to allow an uninhibited view of the camera image. Press the A button to bring the HUD menu back onto the screen*



The currently selected viewing mode is displayed by the icon in the centre of the HUD menu. This will default to Driving/Rear-View mode, or to Reversing mode when in reverse gear.

To change the camera mode, whilst the vehicle is in reverse gear, press B or C to cycle through the Reversing, Wide Angle and Birds-Eye viewing modes.

### Viewing Modes



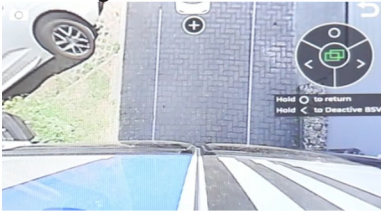
**Reversing** (Select from HUD Menu)



**Driving/Rear-View** (Default view when not in reverse)



**Wide Angle** (Select from HUD Menu)



**Birds-Eye** (Select from HUD Menu)



**Right Blind Spot** (Triggered by Indicator - See Page 4)



**Left Blind Spot** (Triggered by Indicator - See Page 4)

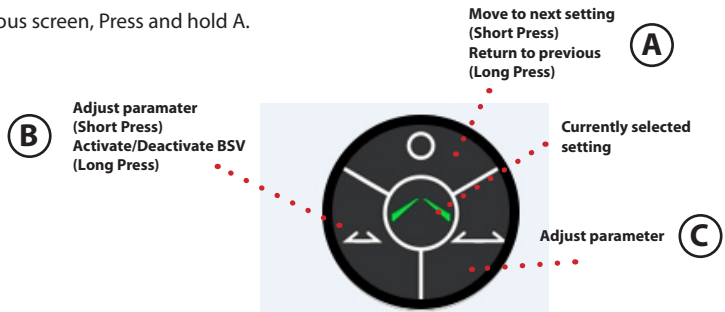
## Adjusting Settings

To adjust settings for all viewing modes, press A from the HUD menu to enter the settings menu.

Once in the settings menu, short press A to cycle through the various settings screens available. Screens include camera angle and position for each mode, and guideline width for parking lines.

Once in a settings screen, the selected setting is indicated by the icon in the centre of the display. The parameters can be adjusted with B and C.

To return to the previous screen, Press and hold A.



## Activating/Deactivating Blind Spot View (BSV) Mode

When in any of the settings screens, a long press of B will activate or deactivate BSV (Blind Spot View).

When active, this will trigger the blind spot camera image when an indicator is activated and the vehicle is moving at a speed of over 40km/h.

When inactive, using the indicators will not trigger the blind spot view and the camera will remain in Driving/Rear-View mode.

*Note: this function will only work if the CAN-Bus wiring is connected.*