



Specifications

- Front, Rear or Reverse Camera
- Universal Surface Mount
- 110° Horizontal Lens Angle
- CMOS Image Sensor
- Parking Guidelines (Loop Setting Optional)
- Mirror Image (Loop Setting Optional)
- PAL / NTSC System (Loop Setting Optional)
- DC 12V Compatible
- IP67 Waterproof / Dustproof

Technical Assistance

If you need assistance setting up or using your Gator product now or in the future, call Gator Support.

Australia

TEL: 03 – 8587 8898

FAX: 03 – 8587 8866

Mon-Fri 9am – 5pm AEST

Please retain this user guide for future reference.



G55CL

USER MANUAL



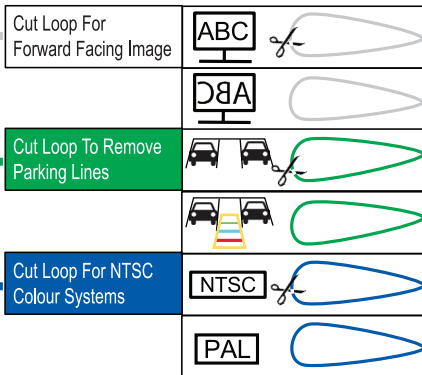
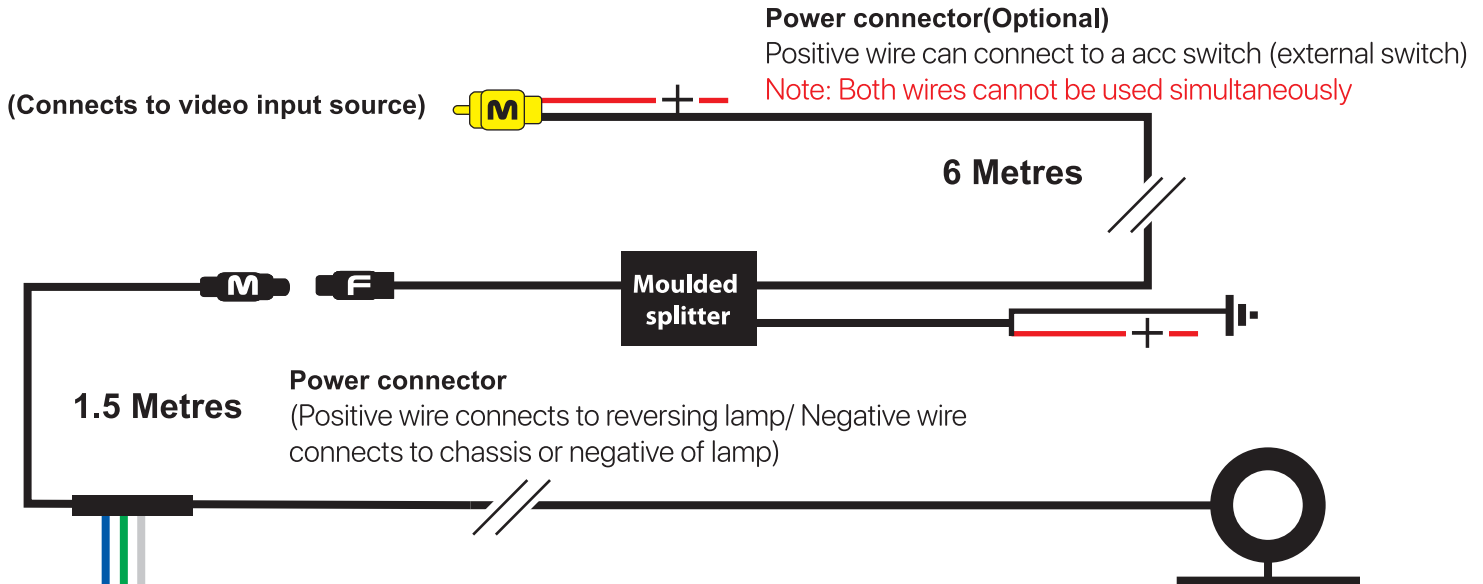
For more information
on the Gator range
go to our website

gatordriverassist.com 

INCLUSIONS:

Surface Mount Camera, 6M RCA Video Cable with Trigger
and Camera Harness

Wiring Diagram (Version 2 Loop System)



Loop options	Cut	Loop
● Video system	NTSC	PAL
● Parking Lines	None	With
● Image	Front	Mirror

Note: When cutting loop wires make sure power to the camera is turned off. For **CAN-BUS** vehicles you will require a Gator **GRCANFLT** CAN-BUS filter. (Sold separately).