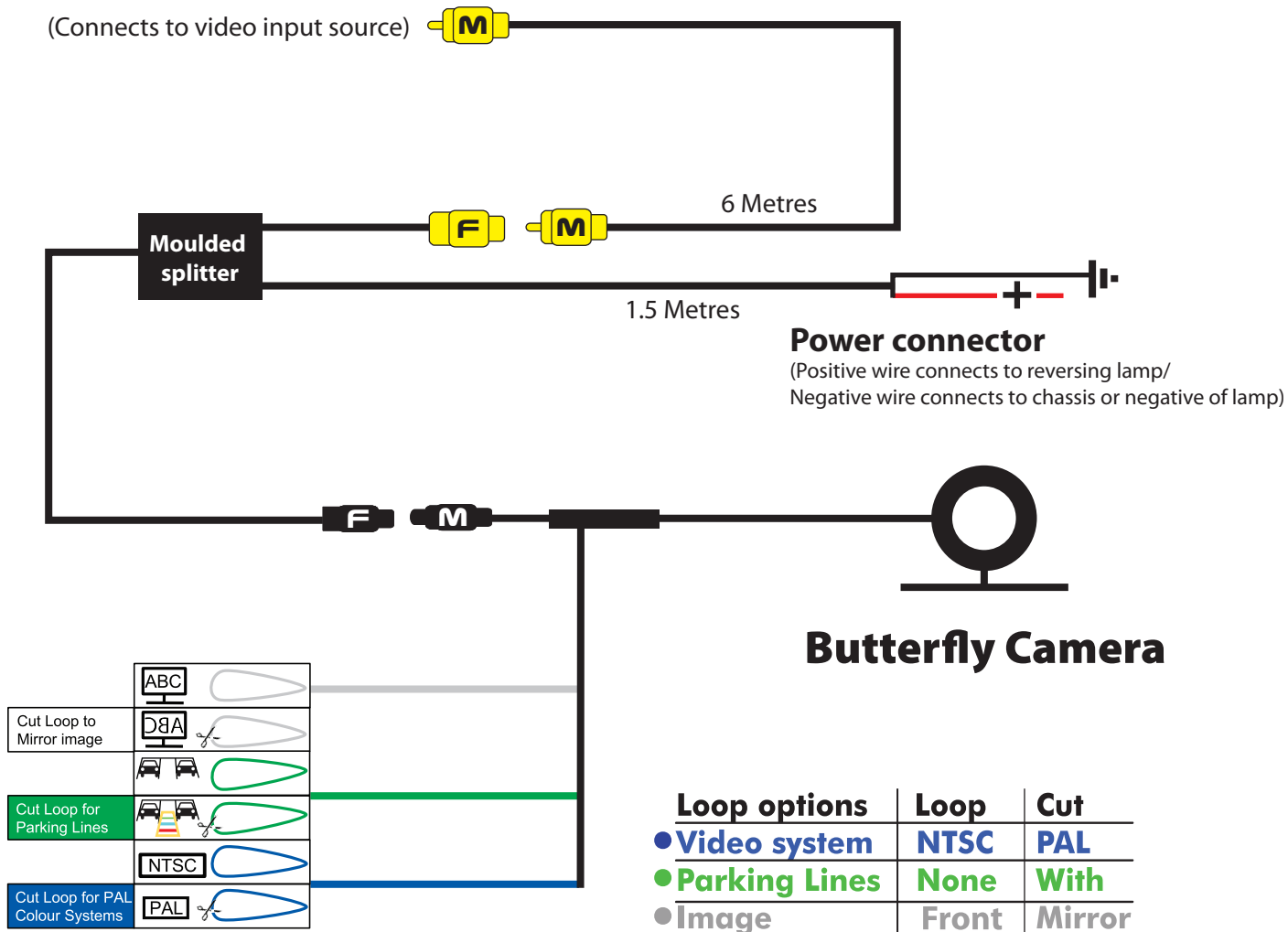


G30CL wiring diagram



Specifications

Butterfly Rearview Camera
 Aluminum case & waterproof for outdoor use. IP67 Standard.
 Lense Angle 170 degree horizontal & 90 degree vertical
 Ultra bright night vision
 Includes 1.5M Power Wire and 6M RCA Lead
 Colour system: NTSC/PAL
 Supply Power: DC12V +/- 10%

Technical Assistance

If you need assistance setting up or using your Gator product now or in the future, call Gator Support.
 Australia
 TEL: 03 – 8587 8898
 FAX: 03 – 8587 8866
 Mon-Fri 9am – 5pm AEST
 Please retain this user guide for future reference.

